



CONTRL MESSAGING USER GUIDE (XML)

CONTRL vppcs.net: Acknowledgment XML Guide for Bookings

Technical Guide for the Acknowledgment Message in valenciaportpcs.net's Booking Service

CONTENTS

CONTENTS	0
1 // INTRODUCTION.....	2
1.1 // TRACK CHANGES	2
1.2 // PURPOSE	2
1.3 // SCOPE	2
1.4 // CONTENTS.....	2
1.5 // REFERENCE DOCUMENTS	2
1.6 // ABBREVIATIONS AND ACRONYMS	3
2 // BUSINESS CONTEXT AND ASSOCIATED MESSAGING.....	4
3 // SPECIAL CONSIDERATIONS: FORMAT AND CONTENT.....	5
3.1 // MANDATORY NATURE AND CARDINALITIES	5
3.2 // DATA FORMAT	5
3.2.1. Character sets supported.....	5
3.2.2. Date conventions	5
4 // CONTRL MESSAGE STRUCTURE	7
5 // CONTRL MESSAGE SEGMENTS.....	8
5.1 // CONTRL\INTERCHANGEHEADER	8
5.1.1. Purpose.....	8
5.1.2. Elements	8
5.1.3. XML example	9
5.2 // CONTRL\MESSAGEHEADER	10
5.2.1. Purpose.....	10
5.2.2. Elements	10
5.2.3. XML example	10
5.3 // CONTRL\INTERCHANGEREESPONSE	12
5.3.1. Purpose.....	12
5.3.2. Elements	12
5.3.3. XML example	13
5.4 // CONTRL\MESSAGERESPONSEGROUP	14
5.4.1. Purpose.....	14
5.4.2. Elements	14
5.4.3. XML example	14
5.5 // CONTRL\MESSAGERESPONSEGROUP\MESSAGERESPONSE	15
5.5.1. Purpose.....	15
5.5.2. Comments.....	15
5.5.3. Elements	15
5.5.4. XML example	16
5.6 // CONTRL\MESSAGERESPONSEGROUP\REFERENCE.....	17
5.6.1. Purpose.....	17
5.6.2. Comments.....	17
5.6.3. Elements	17
5.6.4. XML example	17

5.7 // CONTRL\MESSAGE\RESPONSE\GROUP\FREE\TEXT 18

 5.7.1. Purpose 18

 5.7.2. Elements 18

 5.7.3. XML example 18

6 // CONTRL EXAMPLE 19

 6.1.1. Acceptance response..... 19

 6.1.2. Rejection response 20

1 // Introduction

1.1 // Track changes

Version	Parts that change	Change description
07 Dec 10	All	Original version
07 Feb 17	1.5 and 2	Business context and associated messaging move to an annex

(*) *The track changes table features the parts of this document which have changed compared to the previous version. These changes are shown in “■” colour in the text.*

1.2 // Purpose

The object of this document is to define the user guide for the Acknowledgment XML message sent by the portal indicating the reception of, or any errors in, a Booking Request sent to the valenciaportpcs.net portal.

This guide specifies the format and semantics of the CONTRL acknowledgment message.

1.3 // Scope

The CONTRL message is used so that an information system can confirm that a message has been received correctly or report the existence of errors in it. In the framework of valenciaportpcs.net's Booking service, the Acknowledgment message is **only sent by the system** in response to functional messages sent by the user.

Working basis

To draw up this guide, the previous CONTRL Acknowledgment message guide for valenciaportpcs.net's Booking Service was used, and the EDIFACT CONTRL message was used as a reference.

1.4 // Contents

This guide is divided up into different chapters as shown below:

- Chapter 1 – Introduction
- Chapter 2 – Message flow involved in the Booking process.
- Chapter 3 – General remarks about message details, such as formats, lists used and the identification of mandatory data.
- Chapter 4 – General structure of the Booking Service's CONTRL Acknowledgment Message (XSD schema).
- Chapter 5 – Details of the CONTRL structure for each of the elements that makes up the message.
- Chapter 6 – Examples of acknowledgment and rejection messages.

1.5 // Reference documents

- [1] PR04049-MN01, CONTRL User Guide, v1.10, valenciaportpcs.net
- [2] CONTRL Functional Acknowledgment Message, From INTTRA To Trading Partner, EDIFACT Version D, Release 99B. User Guide V 1.1 (October 24, 2004), INTTRA.
- [3] PCS10-BKING002, IFTMBFv2010 Messaging User Guide, Version 07/12/2010, valenciaportpcs.net.

- [4] PCS10-BKING004, IFTMBCv2010 Messaging User Guide, Version 07/12/2010, valenciaportpcs.net.
- [5] PCS17-BKING001, Annex Business Context and Related Messaging, Version 07/02/2017, valenciaportpcs.net

1.6 // Abbreviations and acronyms

Term	Meaning
UN/EDIFACT	United Nations Directories for Electronic Data Interchange for Administration, Commerce and Transport
ISO	International Organization for Standardization
M	Mandatory
O	Optional
PCS	valenciaportpcs.net

2 // Business context and associated messaging

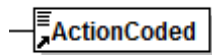
Business context and associated messaging, to be common to all guides of the service, are available in the annex 'Annex Business Context and Related Messaging' (document with reference [5]).

3 // Special considerations: format and content

3.1 // Mandatory nature and cardinalities

The specifications of the schema for the CONTRL XML message have been drawn up on the basis of the following premises and considerations:

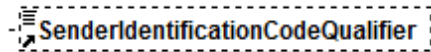
- It has been defined using the same structure and conditions as those defined by EDIFACT, though these have been adapted to the needs of this message in the Booking service, such as the inclusion of a Reference segment which does not exist in the standard.
- The maximum cardinalities and lengths defined by EDIFACT have been respected as far as possible. Adaptations have only been made to fit in with the specific message characteristics of valenciaportpcs.net.
- This guide includes the business rules that complement the message schema specification.
- Mandatory data is marked:
 - As a schema: represented as a solid line



- In the element table: marked with an “M”

<i>MessageResponse</i>			
ActionCoded	Code which indicates the acceptance of the message or errors in it	M	String 1..3

- Optional data is marked:
 - As a schema: represented as a broken line



- In the element table: marked with an “O”

<i>InterchangeResponse/InterchangeSender</i>			
SenderIdentificationCodeQualifier	Code which identifies the source of the code used to identify the sender	O	String 1..4

3.2 // Data format

3.2.1. Character sets supported

The accepted character code format is UTF-8, in line with Unicode characteristics and ISO-10646.

3.2.2. Date conventions

- This guide include date fields with the following formats:
 - Date only, in CCYYMMDD format
 - Date with time, in CCYYMMDDHHMM format
- When the date appears, it is assumed to be in 24-hour format.
- For the CCYYMMDDHHMM date/time format, the time is shown using four digits. The first two are used to indicate the hour and the last two for the minutes.
 - Examples:
 - ❑ 12:45 am should be indicated as 0045
 - ❑ 12:00 pm should be indicated as 1200

- ❑ 11:45 pm should be indicated as 2345
- ❑ 12:00 am should be indicated as 0000
- ❑ 1:30 am should be indicated as 0130
- ❑ 1:45 pm should be indicated as 1345
- ❑ 4:30 pm should be indicated as 1630

4 // CONTRL Message structure

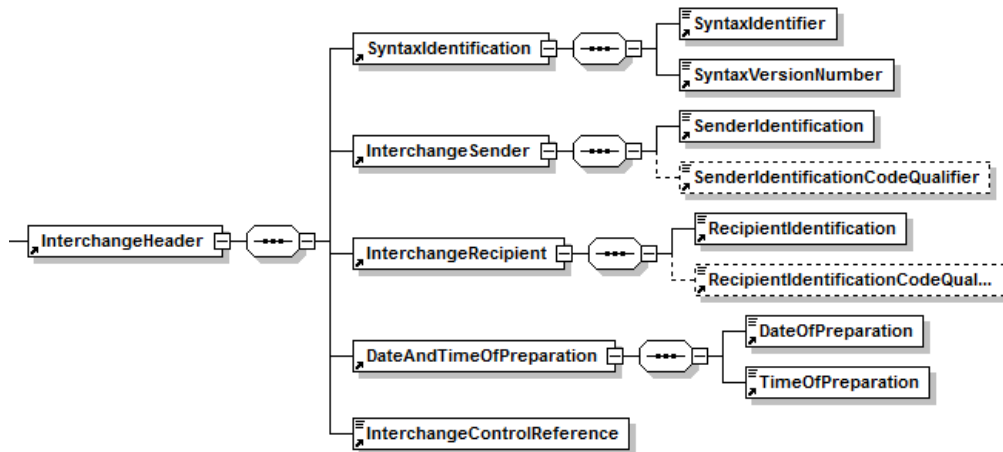
The only accepted character code format is UTF-8.



5 // CONTRL message segments

5.1 // CONTRL\InterchangeHeader

Level	1
Usage	Mandatory
Max. Use	1



5.1.1. Purpose

The *InterchangeHeader* group of elements is used to identify and specify the interchange of messages.

5.1.2. Elements

Name	Purpose	M/O	Type
<i>InterchangeHeader</i>			
SyntaxIdentification	Group of elements which identifies the agency and the syntax used in the message	M	Group
InterchangeSender	Group of elements which identifies the message sender	M	Group
InterchangeRecipient	Group of elements which identifies the message recipient	M	Group
DateAndTimeOfPreparation	Group of elements which identifies the day and time of the message	M	Group
InterchangeControlReference	Message identifier	M	String 1..14
<i>InterchangeHeader\SyntaxIdentification</i>			
SyntaxIdentifier	Code which identifies the agency responsible for the syntax Accepted values: <ul style="list-style-type: none"> UNOC: UN/ECE Level C 	M	String4
SyntaxVersionNumber	Syntax version number Accepted values: <ul style="list-style-type: none"> 2: Version 2 (ISO 9735:1990) 	M	String1
<i>InterchangeHeader\InterchangeSender</i>			
SenderIdentification	valenciaport code which identifies the message sender Accepted values:	M	an..35

• VALENCIAPORT			
SenderIdentificationCodeQualifier	Code which identifies the source of the code used to identify the sender Accepted values: • ZZZ: Mutually Defined	O	String 1...4
<i>InterchangeHeader\InterchangeRecipient</i>			
RecipientIdentification	Code which identifies the message recipient Accepted values: • valenciaport code of the sender of the message being responded to. (<i>Booking Requestor</i>)	M	String 1...35
RecipientIdentificationCodeQualifier	Code which identifies the source of the code used to identify the recipient Accepted values: • ZZZ: Mutually Defined	O	String 1...4
<i>InterchangeHeader\DateAndTimeOfPreparation</i>			
DateOfPreparation	Date the message is prepared, in YYMMDD format	M	n6
TimeOfPreparation	Time the message is prepared, in HHMM format	M	n4

5.1.3. XML example

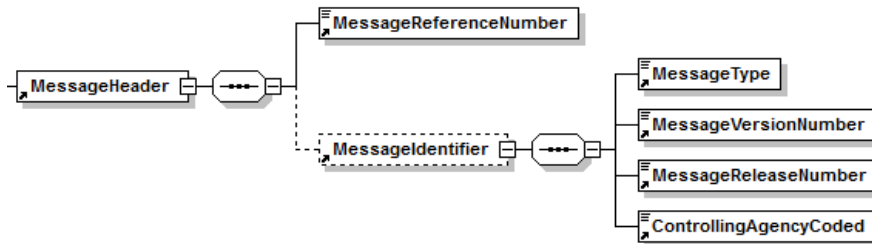
```

<InterchangeHeader>
  <SyntaxIdentification>
    <SyntaxIdentifier>UNOC</SyntaxIdentifier>
    <SyntaxVersionNumber>2</SyntaxVersionNumber>
  </SyntaxIdentification>
  <InterchangeSender>
    <SenderIdentification>VALENCIAPORT</SenderIdentification>
    <SenderIdentificationCodeQualifier>ZZZ</SenderIdentificationCodeQualifier>
  </InterchangeSender>
  <InterchangeRecipient>
    <RecipientIdentification>TEST</RecipientIdentification>
    <RecipientIdentificationCodeQualifier>ZZZ</RecipientIdentificationCodeQualifier>
  </InterchangeRecipient>
  <DateAndTimeOfPreparation>
    <DateOfPreparation>101122</DateOfPreparation>
    <TimeOfPreparation>1600</TimeOfPreparation>
  </DateAndTimeOfPreparation>
  <InterchangeControlReference>VPRT0000005109</InterchangeControlReference>
</InterchangeHeader>

```

5.2 // CONTRL\MessageHeader

Level	1
Usage	Mandatory
Max. Use	1



5.2.1. Purpose

The *MessageHeader* group of elements is used to identify the header information in the document. This group provides information about the message number, type, version, etc.

5.2.2. Elements

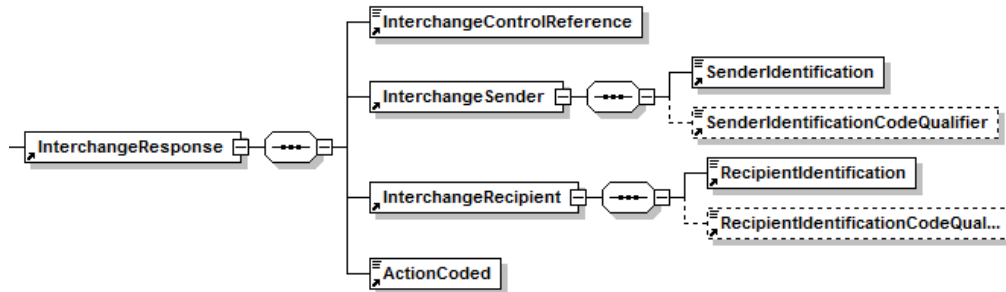
Name	Purpose	M/O	Type
<i>MessageHeader</i>			
MessageReferenceNumber	Unique reference assigned by the document sender, which identifies the message. Structure: VVVVACCCCCCCC Where: <ul style="list-style-type: none"> VVVV: an4. Identification code of the organization sending the document to valenciaport A: an1. Last digit of the current year in which the document is sent. CCCCCCCC: an..9. Unique message code assigned by the organization sending the document 	M	an..14
MessageIdentifier	Identifier of the type, version, etc. of the interchanged message	O	Group
<i>MessageHeader/MessageIdentifier</i>			
MessageType	Code which identifies the document type. Assigned by valenciaportpcs.net. Accepted values: <ul style="list-style-type: none"> CONTRL: Acknowledgment message 	M	String 1..9
MessageVersionNumber	Code identifying the message version, assigned by the association responsible for the design and maintenance of the type of message Accepted values: <ul style="list-style-type: none"> 4: PCS version for 2010 Booking 	M	String 1..3
MessageReleaseNumber	Message version release number Accepted values: <ul style="list-style-type: none"> 1: PCS release for 2010 Booking 	M	String 1..3
ControllingAgencyCoded	Identification code of the controlling agency Accepted values: <ul style="list-style-type: none"> UN: United Nations (UN) 	M	String 1..2

5.2.3. XML example

```
<MessageHeader>  
  <MessageReferenceNumber>VPRT0000005109</MessageReferenceNumber>  
  <MessageIdentifier>  
    <MessageType>CONTRL</MessageType>  
    <MessageVersionNumber>4</MessageVersionNumber>  
    <MessageReleaseNumber>1</MessageReleaseNumber>  
    <ControllingAgencyCoded>UN</ControllingAgencyCoded>  
  </MessageIdentifier>  
</MessageHeader>
```

5.3 // CONTRL\InterchangeResponse

Level	1
Usage	Mandatory
Max. Use	1



5.3.1. Purpose

The *InterchangeResponse* group of elements is used to identify the interchange being responded to, as well as indicating whether an error has occurred.

5.3.2. Elements

Name	Purpose	M/O	Type
<i>InterchangeResponse</i>			
InterchangeControlReference	Identifier of the original message being responded to	M	String 1..14
InterchangeSender	Group of elements which identifies the message sender	M	Group
InterchangeRecipient	Group of elements which identifies the message recipient	M	Group
ActionCoded	Code which indicates the acceptance of or errors in the message Accepted values: <ul style="list-style-type: none"> 4: Interchange rejected 7: Interchange accepted 	M	String 1..3
<i>InterchangeResponse/InterchangeSender</i>			
SenderIdentification	Code which identifies the sender of the message being responded to Accepted values: <ul style="list-style-type: none"> Valenciaport code of the original sender of the booking (Booking Party) 	M	String 1...35
SenderIdentificationCodeQualifier	Code which identifies the source of the code used to identify the sender Accepted values: <ul style="list-style-type: none"> ZZZ: Mutually Defined 	O	String 1...4
<i>InterchangeResponse/InterchangeRecipient</i>			
RecipientIdentification	Code which identifies the recipient of the message being responded to Accepted values: <ul style="list-style-type: none"> VALENCIAPORT 	M	String 1...35
RecipientIdentificationCodeQualifier	Code which identifies the source of the code used to identify the recipient	O	String 1...4

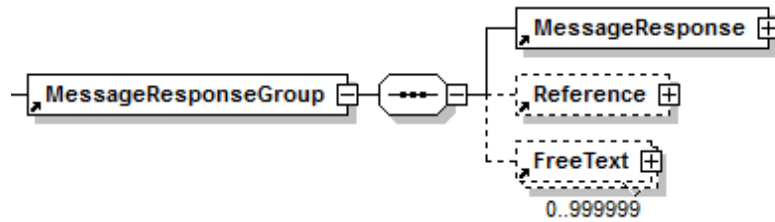
	Accepted values: <ul style="list-style-type: none">• ZZZ: <i>Mutually Defined</i>		
--	--	--	--

5.3.3. XML example

```
<InterchangeResponse>
  <InterchangeControlReference>TEST0100001523</InterchangeControlReference>
  <InterchangeSender>
    <SenderIdentification>TEST</SenderIdentification>
    <SenderIdentificationCodeQualifier>ZZZ</SenderIdentificationCodeQualifier>
  </InterchangeSender>
  <InterchangeRecipient>
    <RecipientIdentification>VALENCIAPORT</RecipientIdentification>
    <RecipientIdentificationCodeQualifier>ZZZ</RecipientIdentificationCodeQualifier>
  </InterchangeRecipient>
  <ActionCoded>7</ActionCoded>
</InterchangeResponse>
```

5.4 // CONTRL\MessageResponseGroup

Level	1
Usage	Mandatory
Max. Use	1



5.4.1. Purpose

Segment used to identify the message being responded to, as well as indicating whether an error has occurred.

5.4.2. Elements

Name	Purpose	M/O	Type
<i>MessageResponseGroup</i>			
MessageResponse	Group of elements which identifies the message being responded to, indicating whether it contains any errors	M	Group
Reference	Group of elements used to indicate certain references in the response	O	Group
FreeText	Group of elements which describes whether the message contains any errors	O	Group

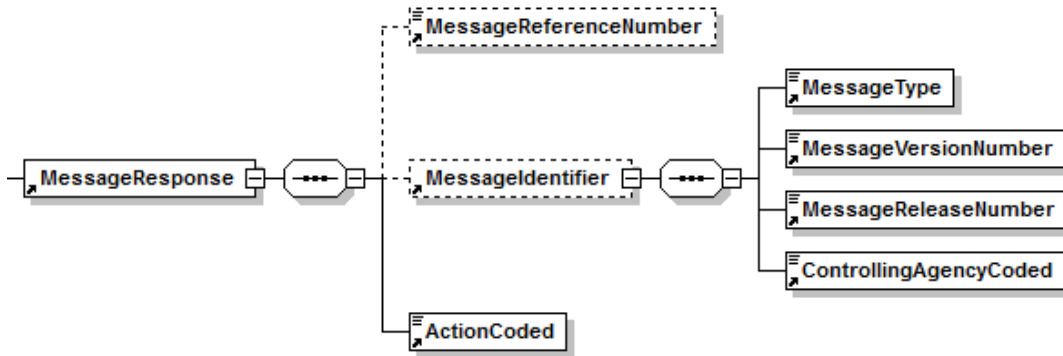
5.4.3. XML example

```

<MessageResponseGroup>
  <MessageResponse>
    ....
  </MessageResponse>
  <Reference>
    ....
  </Reference>
  <FreeText>
    ....
  </FreeText>
</MessageResponseGroup>
    
```


5.5 // CONTRL\MessageResponseGroup\MessageResponse

Level	2
Usage	Mandatory
Max. Use	1
Group	MessageResponseGroup



5.5.1. Purpose

Segment used to identify the message being responded to, as well as indicating whether an error has occurred.

5.5.2. Comments

The *MessageIdentifier* and *MessageReferenceNumber* elements correspond to those of the message being responded to.

5.5.3. Elements

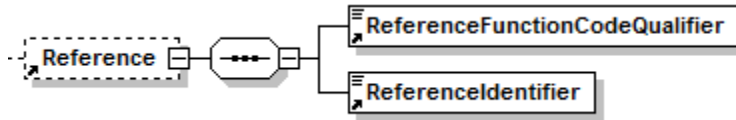
Name	Purpose	M/O	Type
<i>MessageResponse</i>			
MessageReferenceNumber	Reference number of the message being responded to	O	String 1...14
MessageIdentifier	Group of elements which identifies the type of message being responded to	O	Group
ActionCoded	Code which indicates the acceptance of or errors in the message Accepted values: <ul style="list-style-type: none"> 4: Document rejected 7: Document accepted 	M	String 1..3
<i>MessageResponse/MessageIdentifier</i>			
MessageType	Code which identifies the type of message being responded to Accepted values: <ul style="list-style-type: none"> IFTMBF: Booking Request IFTMBC: Booking Confirmation 	M	String 1...6
MessageVersionNumber	Version number of the message being responded to	M	String 1...3
MessageReleaseNumber	Release number of the message version being responded to	M	String 1...3
ControllingAgencyCoded	Identification code of the controlling agency being responded to	M	String 1...2

5.5.4. XML example

```
<MessageResponse>  
  <MessageReferenceNumber>TEST6100001523</MessageReferenceNumber>  
  <MessageIdentifier>  
    <MessageType>IFTMBF</MessageType>  
    <MessageVersionNumber>D</MessageVersionNumber>  
    <MessageReleaseNumber>99B</MessageReleaseNumber>  
    <ControllingAgencyCoded>UN</ControllingAgencyCoded>  
  </MessageIdentifier>  
  <ActionCoded>7</ActionCoded>  
</MessageResponse>
```

5.6 // CONTRL\MessageResponseGroup\Reference

Level	2
Usage	Optional
Max. Use	1
Group	MessageResponse Group



5.6.1. Purpose

Segment to specify the references which identify the message being responded to.

5.6.2. Comments

The reference **AQY** contains the unique identifier generated by the system for the document being responded to. If this document is an original, this identifier should be used in future replacements or cancellations.

5.6.3. Elements

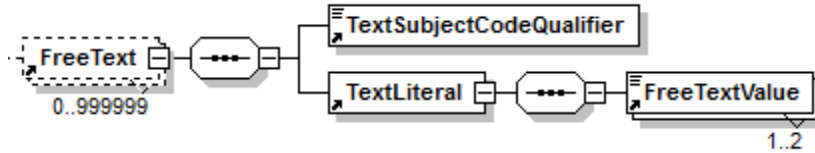
Name	Purpose	M/O	Type
<i>Reference</i>			
ReferenceFunctionCodeQualifier	Code which identifies the meaning of the reference Received values: <ul style="list-style-type: none"> AQY: File identification number (document number assigned by the system to the document being responded to) 	M	String 1...3
ReferenceIdentifier	Reference value	M	String 1...30

5.6.4. XML example

```
<Reference>
  <ReferenceFunctionCodeQualifier>AQY</ReferenceFunctionCodeQualifier>
  <ReferenceIdentifier>INNO2010E001400</ReferenceIdentifier>
</Reference>
```

5.7 // CONTRL\MessageResponseGroup\FreeText

Level	2
Usage	Optional
Max. Use	999999
Group	MessageResponse Group



5.7.1. Purpose

Segment to specify additional information about whether an error has occurred. This group can contain descriptive text detailing errors when a rejected message is being responded to, as well as purely informative text (remarks).

5.7.2. Elements

Name	Purpose	M/O	Type
<i>FreeText</i>			
TextSubjectCodeQualifier	Code which specifies the purpose of the text Accepted values: <ul style="list-style-type: none"> AAI: General information 	M	an..3
TextLiteral	Free text	M	Group
<i>FreeText/TextLiteral</i>			
FreeTextValue	Free text	M	an..512

5.7.3. XML example

```

<FreeText>
  <TextSubjectCodeQualifier>AAI</TextSubjectCodeQualifier>
  <TextLiteral>
    <FreeTextValue>El elemento 'NumberOfPackages' tiene un valor no válido.</FreeTextValue>
  </TextLiteral>
</FreeText>
    
```

6 // CONTRL example

6.1.1. Acceptance response

```

<CONTRL>
  <InterchangeHeader>
    <SyntaxIdentification>
      <SyntaxIdentifier>UNOC</SyntaxIdentifier>
      <SyntaxVersionNumber>2</SyntaxVersionNumber>
    </SyntaxIdentification>
    <InterchangeSender>
      <SenderIdentification>VALENCIAPORT</SenderIdentification>
      <SenderIdentificationCodeQualifier>ZZZ</SenderIdentificationCodeQualifier>
    </InterchangeSender>
    <InterchangeRecipient>
      <RecipientIdentification>TEST</RecipientIdentification>
      <RecipientIdentificationCodeQualifier>ZZZ</RecipientIdentificationCodeQualifier>
    </InterchangeRecipient>
    <DateAndTimeOfPreparation>
      <DateOfPreparation>101125</DateOfPreparation>
      <TimeOfPreparation>1730</TimeOfPreparation>
    </DateAndTimeOfPreparation>
    <InterchangeControlReference>VPRT0000005271</InterchangeControlReference>
  </InterchangeHeader>
  <MessageHeader>
    <MessageReferenceNumber>VPRT0000005271</MessageReferenceNumber>
    <MessageIdentifier>
      <MessageType>CONTRL</MessageType>
      <MessageVersionNumber>4</MessageVersionNumber>
      <MessageReleaseNumber>1</MessageReleaseNumber>
      <ControllingAgencyCoded>UN</ControllingAgencyCoded>
    </MessageIdentifier>
  </MessageHeader>
  <InterchangeResponse>
    <InterchangeControlReference>TEST6100001523</InterchangeControlReference>
    <InterchangeSender>
      <SenderIdentification>TEST</SenderIdentification>
      <SenderIdentificationCodeQualifier>ZZZ</SenderIdentificationCodeQualifier>
    </InterchangeSender>
    <InterchangeRecipient>
      <RecipientIdentification>VALENCIAPORT</RecipientIdentification>
      <RecipientIdentificationCodeQualifier>ZZZ</RecipientIdentificationCodeQualifier>
    </InterchangeRecipient>
    <ActionCoded>7</ActionCoded>
  </InterchangeResponse>
  <MessageResponseGroup>
    <MessageResponse>
      <MessageReferenceNumber>TEST6100001523</MessageReferenceNumber>
      <MessageIdentifier>
        <MessageType>IFTMBF</MessageType>
        <MessageVersionNumber>D</MessageVersionNumber>
        <MessageReleaseNumber>99B</MessageReleaseNumber>
        <ControllingAgencyCoded>UN</ControllingAgencyCoded>
      </MessageIdentifier>
      <ActionCoded>7</ActionCoded>
    </MessageResponse>
    <Reference>
      <ReferenceFunctionCodeQualifier>AQY</ReferenceFunctionCodeQualifier>
      <ReferenceIdentifier>TEST2010E001400</ReferenceIdentifier>
    </Reference>
  </MessageResponseGroup>
</CONTRL>

```

6.1.2. Rejection response

```

<CONTRL>
  <InterchangeHeader>
    <SyntaxIdentification>
      <SyntaxIdentifier>UNOC</SyntaxIdentifier>
      <SyntaxVersionNumber>2</SyntaxVersionNumber>
    </SyntaxIdentification>
    <InterchangeSender>
      <SenderIdentification>VALENCIAPORT</SenderIdentification>
      <SenderIdentificationCodeQualifier>ZZZ</SenderIdentificationCodeQualifier>
    </InterchangeSender>
    <InterchangeRecipient>
      <RecipientIdentification>TEST</RecipientIdentification>
      <RecipientIdentificationCodeQualifier>ZZZ</RecipientIdentificationCodeQualifier>
    </InterchangeRecipient>
    <DateAndTimeOfPreparation>
      <DateOfPreparation>101125</DateOfPreparation>
      <TimeOfPreparation>1730</TimeOfPreparation>
    </DateAndTimeOfPreparation>
    <InterchangeControlReference>VPRT0000005271</InterchangeControlReference>
  </InterchangeHeader>
  <MessageHeader>
    <MessageReferenceNumber>VPRT0000005271</MessageReferenceNumber>
    <MessageIdentifier>
      <MessageType>CONTRL</MessageType>
      <MessageVersionNumber>4</MessageVersionNumber>
      <MessageReleaseNumber>1</MessageReleaseNumber>
      <ControllingAgencyCoded>UN</ControllingAgencyCoded>
    </MessageIdentifier>
  </MessageHeader>
  <InterchangeResponse>
    <InterchangeControlReference>TEST6100001523</InterchangeControlReference>
    <InterchangeSender>
      <SenderIdentification>TEST</SenderIdentification>
      <SenderIdentificationCodeQualifier>ZZZ</SenderIdentificationCodeQualifier>
    </InterchangeSender>
    <InterchangeRecipient>
      <RecipientIdentification>VALENCIAPORT</RecipientIdentification>
      <RecipientIdentificationCodeQualifier>ZZZ</RecipientIdentificationCodeQualifier>
    </InterchangeRecipient>
    <ActionCoded>7</ActionCoded>
  </InterchangeResponse>
  <MessageResponseGroup>
    <MessageResponse>
      <MessageReferenceNumber>TEST6100001523</MessageReferenceNumber>
      <MessageIdentifier>
        <MessageType>IFTMBF</MessageType>
        <MessageVersionNumber>D</MessageVersionNumber>
        <MessageReleaseNumber>99B</MessageReleaseNumber>
        <ControllingAgencyCoded>UN</ControllingAgencyCoded>
      </MessageIdentifier>
      <ActionCoded>4</ActionCoded>
    </MessageResponse>
    <FreeText>
      <TextSubjectCodeQualifier>AAI</TextSubjectCodeQualifier>
      <TextLiteral>
        <FreeTextValue>El número de mensaje ya existe</FreeTextValue>
      </TextLiteral>
    </FreeText>
  </MessageResponseGroup>
</CONTRL>

```



valenciaport  **pcs.net**
Port Community System

User Service Desk
Avenida Muelle del Turia, s/n
46024 Valencia
Tel. No.: 902 884 424
RCI: 10001
www.valenciaportpcs.net
cau@valenciaportpcs.net